

Схема запасных
частей

 **EUROBOOR**
FOR PROFESSIONALS BY PROFESSIONALS

Магнитный сверлильный станок

ECO.80S+



Внимание! Перед использованием данной схемы запчастей убедитесь, что она является актуальной для станка с вашим серийным номером. Для этого обратитесь к дилеру EUROBOOR или посетите официальный сайт <https://euroboor.com/ru>

Схема запасных частей станка Euroboor ECO.80S+

Номер	Артикул	Описание	Розничная цена, евро
1	080S.1001	Motor 220V ECO.80S+	
2	050.0106	Screw 4.8 x 45	1,00
3	100.0322Z	End cover	
3A	P020.0278	LED indicator red alarm set 220V	5,00
4	032.0116	Screw M4 x 16	
5	100.4006	Control unit top ECO.100 110V / 220V	65,00
6-7, 9-13	100.0372	Carbon brush holder assembly	6,24
8(A)	Carbon.100+	Carbon brush set 220V (100.0368 + 100.0368AUTO)	
14	100.4388	Housing	62,10
15	CS100.0342/2	Cable set 1608 ->	
16,18	080.0661	Cable t/s housing inner and outer	
19	35H.0051_1	Screw M6 x 35	
20	100.1004-CK-1	Field 220V	
21	100.0391	Baffle	3,00
22	100.0346	Rubber fitting ring	2,73
23	100.0348	Armature speed disk 1800W/1900W	15,03
24	080.0351	Bearing 6000	8,00
25A	100S.1011	Armature 220V	
26	032.0166	Circlip 472/28/1.2	1,00
27	050.9070	Bearing 6001V V	6,50
27A	100S.0064	Bearing 15 x 23 x 3	
28	100S.0401X	Inner gear plate	
28A	100S.0071	O-ring 106x1.8	
29	100.0571	Circlip 471 11 x 1	1,00
30	100.0458	Gasket big	2,10
31	130.0065	Ring metal	
32	100S.1006	Clutch shaft	
33	100.0426	Circlip 471 24 x 1.2	
34	080.4324	Spindle gear 38T	13,50
35	080.4411	Adapter ring	
36	100.0446	Bearing 6005	16,30
37	040.0161	Needle bearing HK0810	11,27
38	100.4312	Friction clutch complete assembly (7T)	59,00
38A	080.4321	Axle 1 (ECO.80 -> 1412)	35,00
38B	100.4350	Nut M10	1,00
38C	100.4351	Washer 12 x 18 x 1	1,00
38D	100.4338	Friction lock disk 1	62,10
38E	100.4340	Brass disk 1	1,10
38F	100.4344	First gear 36T	29,00
38G	100.4349	Brass disk 2	1,10
38H	100.4353	Friction lock disk 2	1,78
38I	100.4352	Tension shell 28	1,50
39	080.0506	Bearing	
40	100.4321	Axle 1 28+13T	52,64
41	040.0301	Key	2,00
42	100.4491	Double gear 1 25T+39T	58,72
43	100.4320	Double gear 2 36T+41T	49,11
44	100.4334	Axle 3 (13T)	37,61
45	080.0526	Key 3	
46	080.4486	Washer 14 x 22 x 1	
47	080.0481	Needle bearing	23,25
48	100S.1007	Clutch shaft	
49	100.0549	Casing pin	

Схема запасных частей станка Euroboor ECO.80S+

Номер	Артикул	Описание	Розничная цена, евро
50	080S.1017	Gear box set	
51	100S.1014	Gear switch	
52	100.0459	Screw BK 5.5 x 45	
53	050.0078	Ring 41.5 x 36.5 x 1.5	1,00
54	020.0329	Screw M4 x 16	1,00
55	050.0082	Screw holder	1,50
56	080.0431	Key spindle 6 x 6 x 20	
57	100.0901	Spindle drive shaft	
58	100S.0076	Rack 1.5x58T	
59	020.0003	Pin	
60	020.0106	Screw M6 x 16	
60A	360.1025	Bolt M6 x 14	
61	020.0111	Washer M6 DIN7980	
62	100S.0462X	Slide	
63	020.0146B	Screw M6 x 35	
64	020.0146	Screw M6 x 25	1,00
65	100S.0067	Wool felt ring 45 x 58 x 5	
66	100S.0066	Bearing NKX-45	
67	100S.0065	Bearing 35 x 42 x 8	
68	KSP.MS	Screw M5 x 10	
69	020.0298	Motor cable clamp	
70	KSP.MS	Screw M5 x 10	
71	KSP.M/3	Tank holder	
72	080.0016BX.5A	Rear panel 220V	
73	020.0101	Panel screw BKVZ M4 x 8	1,00
74-77	080.1028	Speed control unit 220V	
80	100.0022	Bolt M5 x 20	
81	100.0193A	Aluminium rail (L) 22 x 18.5 x 442.5	
82	100.0193B	Aluminium rail (L) 22 x 18.5 x 442.5	
83	020.1001	Fuse holder 5 x 20	
83A	020.0257	Capacitance	3,50
84	020.0081	End screw BKVZ M6 x 16	
85	020.0077H	End plate black	
86	100S.1002	Frame	
87	020.0516	Screw M5 x 10	1,00
88	080.1010A	Motor cable	
88B	CS100.0341/2	Cable set 1608 ->	
89	020.0032	Adapter PG9 - PG11	
89A	020.0033	Coupling nut PG11	
90	100.0101H	Capstan hub assembly black	
91	020.0314X	Arm for capstan	
92	020.0036	Main cable 220V EU	15,21
	020.0031	Coupling nut PG11 (main cable)	3,88
93-94	020.0182	Grounding screw/washer/nut	
95	080S.0016BX	Front panel ECO.80S+	
96	030E.0091/Y	Motor switch 220V (5-pin) YELLOW	14,42
97	020.0206	LED indicator set	7,29
98	020.0011/1	Magnet switch	
93, 99-100	020.0037	Cable clamp complete	
101-104	020.0151	Magnet spring ball	
105	100.0006	Screw SS M8 x 25	
106	100.1008	Sensor	
107	020.0305	Washer M8	

Схема запасных частей станка Euroboor ECO.80S+

Номер	Артикул	Описание	Розничная цена, евро
108	055.1041L	Gyroscope PCB set	
109	100.1022	Magnet 220V	

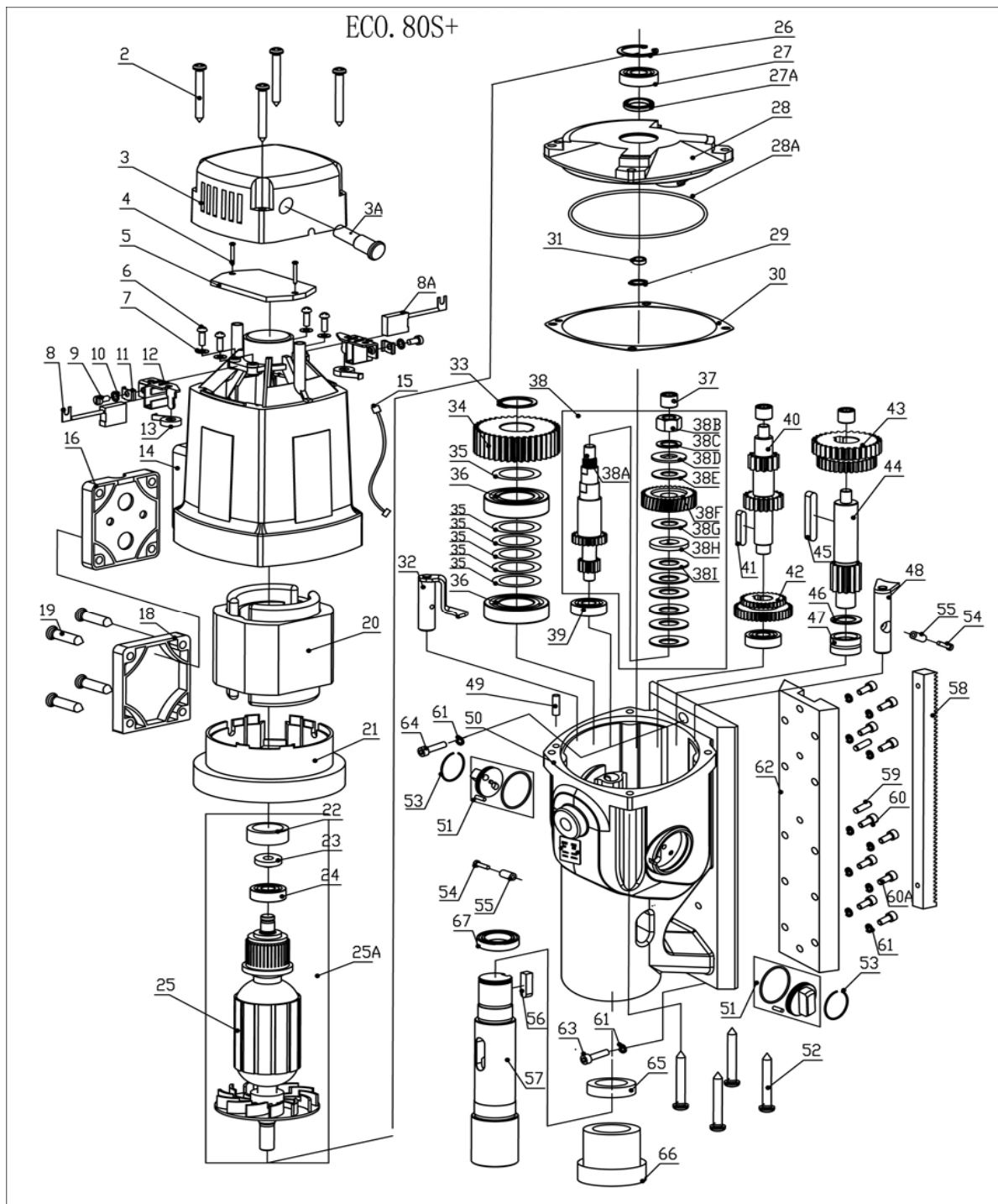


Схема запасных частей станка Euroboor ECO.80S+

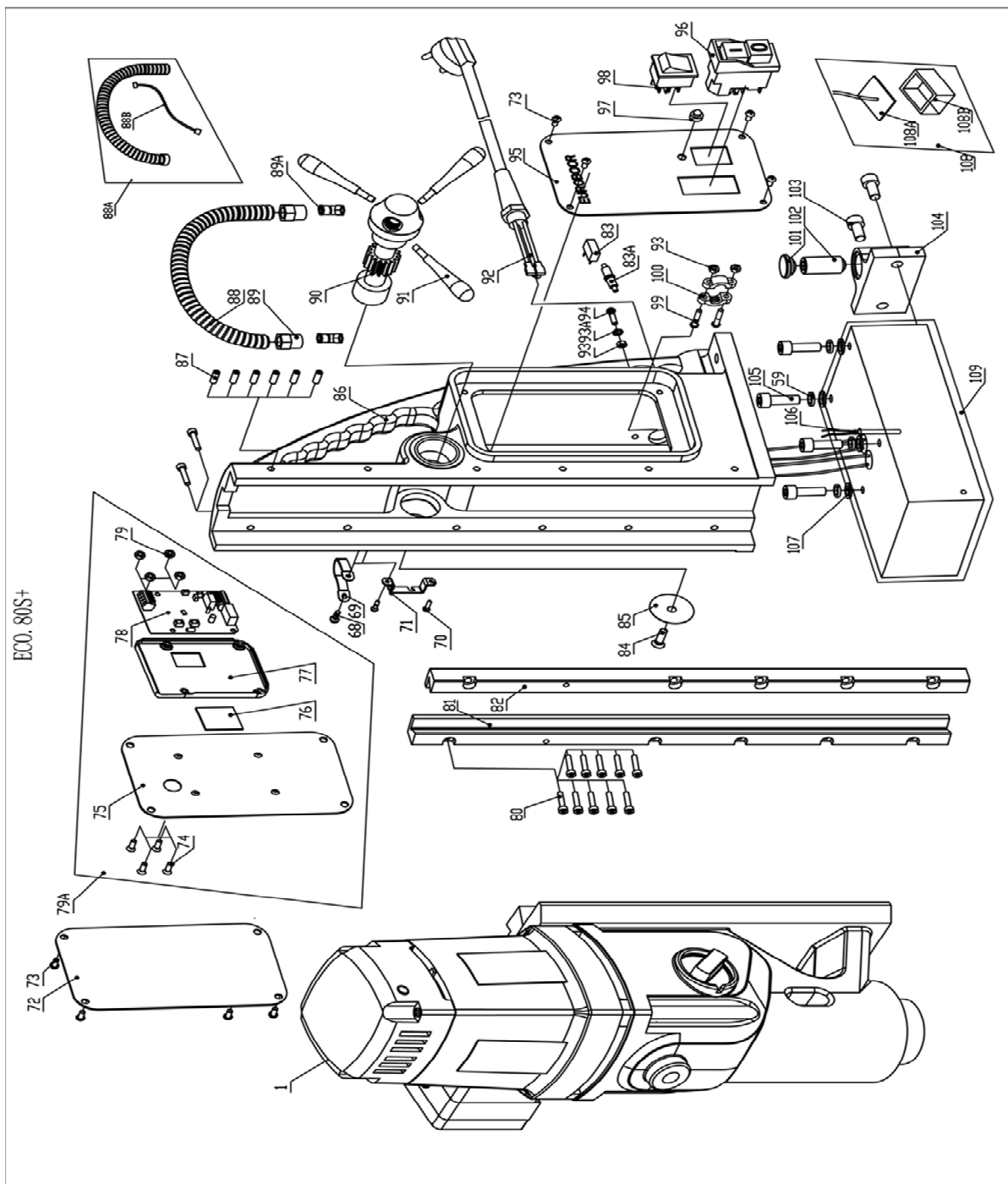


Схема запасных частей станка Euroboor ECO.80S+

